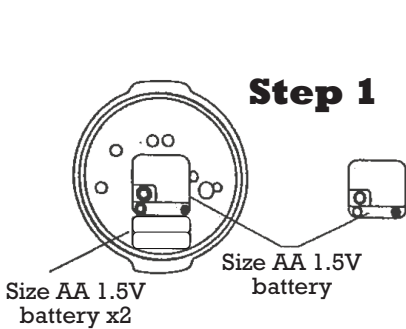


# design TOSCANO®

## INSTRUCTIONS FOR PRODUCT

KY-19422  
Goddess of Time Pendulum Clock

Thank you for your recent purchase of this Design Toscano hand crafted piece of sculptural art. We have taken great care to create this piece especially for you. Please review these instructions and assemble this piece with care.



### Step 1

Size AA 1.5V battery x2

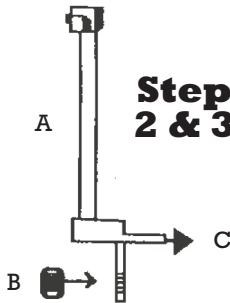
Size AA 1.5V battery

### Step 1

Unclip battery cover. Insert batteries (not supplied) as shown and adjust time, then replace the battery cover.

### Step 2

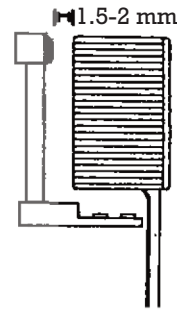
Unscrew the fastening nut (B) from the base of the support bracket (A) and then put the bracket through the arm on the statue and fasten nut (B) finger tight.



### Step 2 & 3

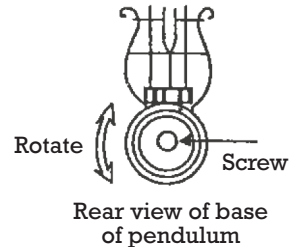
### Step 3

Unscrew nut (C) from front of support bracket and position the pendulum onto the 2 cups provided (take care to position correctly) and refasten the nut (C) back into place.



### Step 4

### Step 5



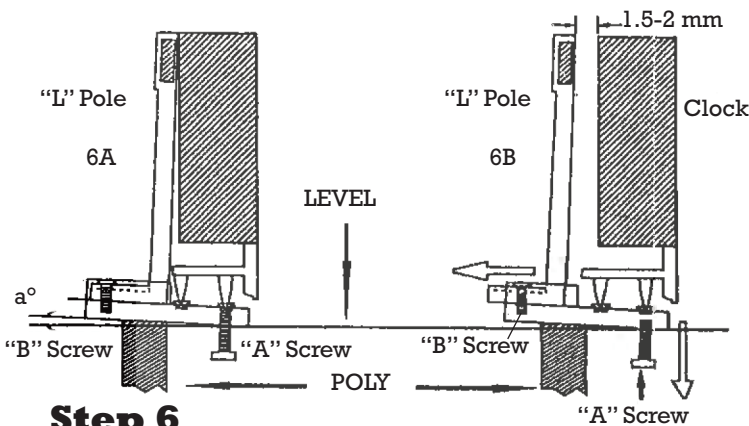
### Step 5

Gently push the pendulum to start the swinging action. There is an additional adjustment at the base of the pendulum to "balance the pendulum."

### Step 4

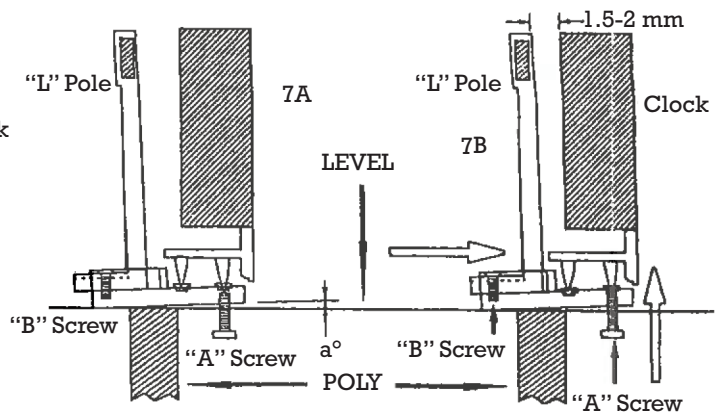
The space between the back of the pendulum and the support bracket should be 1.5-2mm. (NOTE: It is important that the pendulum does not actually touch the magnet.)

The back of the base of the pendulum rotates to adjust the counterbalance weight - if required. This can be rotated to help equalize the swing. (NOTE: It may be necessary to slacken the securing screw on the rear of the pendulum before doing this.)



### Step 6

If the pendulum is not level as shown in picture 6A then you may need to move the "L" pole slightly left. This is achieved by screwing down screw "B" to make the pole "L" vertical and the gap to the clock 1.5-2mm. You can also slide the pole "L" back and forth to achieve the correct gap as shown in picture 6B.



### Step 7

If the pendulum is not level and looks similar to picture 7A then the pendulum may not swing properly. You need to adjust screw "A" to make the pendulum look like picture 7B with a gap of approximately 1.5-2mm. Note screw "B" should be adjusted to make sure the "L" pole is absolutely vertical.

©Copyright 2017, Design Toscano, Inc.

1.800.525.0733  
DESIGNTOSCANO.COM

THANK YOU FOR  
YOUR PURCHASE